

Turbo Liquidizers TBXPro motor, 1 speed

ITEM # _____

MODEL # _____

NAME # _____

SIS # _____

AIA # _____


602299 (TBXPRO1T)

 TBX Pro Turboliquidizer
 motor only (without tools), 1
 speed, 1650 rpm

Short Form Specification

Item No. _____

Includes only the motor base. To have a functioning appliance, tube(s) and tool(s) must be ordered separately (see optional accessories). Constructed entirely in stainless steel and mounted on a trolley with 4 wheels with brakes. Fast and simple height adjustment (250mm range). Can be adapted to all types of pots and braising pans. Safety device allows the machine to start only when in working position. 1 speed: 1650 rpm. The touch button control panel has IP65 protection with low voltage level.

Main Features

- Used to mix, blend and emulsify vegetable and soups, fruit and vegetable purées, liquid pastries, sauces and much more directly in cooking pots/containers.
- Includes only the motor base. To have a functioning appliance, tube(s) and tool(s) must be ordered separately (see optional accessories).
- Equipped with crank handle for fast and easy height adjustment.
- Mixer tube is easily removable without tools and can be dismantled in separate parts: tube, shaft, bearing and rotor.
- All components of tube and head are in stainless steel and dishwasher safe (excluding bearings).
- Safety device allows the machine to start only when it is in a working position.
- Suggested for pans containing up to 700 liters of liquid or up to 200 kg of potatoes.
- Turbine accelerates the flow of the liquid over the impeller providing a greater throughput and finer grinding.
- For mash prepared with potatoes, using specific puree tool (see optional accessories).

Construction

- Constructed entirely in stainless steel to offer maximum durability.
- 380-440V/60Hz/3-phase available on request.
- 60Hz available on request (S-code).
- Mounted on a mobile stainless steel trolley (4 wheels with brakes). Storage position: fold down motor/arm to save space.
- Trolley with support to store up to two tubes (with assembled tool).
- CE approved (Machine Directive) with CB test report from third party notified body.
- Equipped with 8 m power cord without plug.
- IP65 waterproof control panel, IP23 throughout the entire machine.
- 250mm height adjustment range for the motor body. Different tube lengths allow to adapt to pot depths (see optional accessories).
- All parts in contact with food are conform to 1935/2004/EC.
- Power: 1500 watts.
- 1 speed: 1650 rpm.

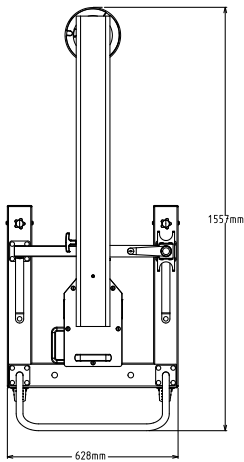
Optional Accessories

- TBXPro soup grid, hole diam. 8-10 mm PNC 650168
- TBX Pro soup head (without tube) PNC 650172
- TBX Pro puree head for Braising Pan (without tube) PNC 650173
- TBX Pro medium tube 448 mm PNC 650175
- TBX Pro long tube 568 mm PNC 650176
- TBX Pro puree head (without tube) PNC 650177

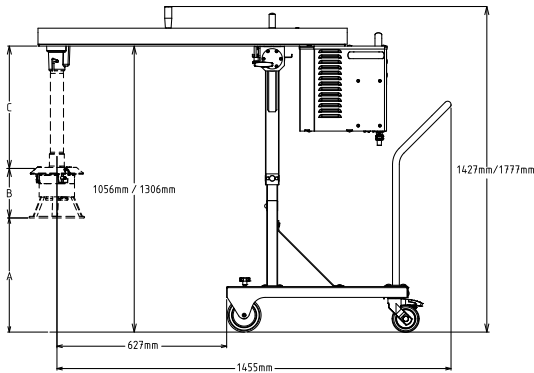
APPROVAL: _____

- TBX Pro fish soup grid, hole diam. 19 mm PNC 653507
- TBX Pro soup head for Braising Pan (without tube) PNC 653521
- TBX Pro short tube with deflector, 348 mm (recommended for Braising Pans) PNC 653821

Top

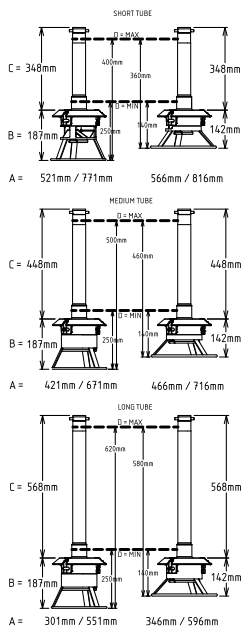


Side



EI = Electrical inlet (power)

Other



Electric

Supply voltage:	
602299 (TBXPROIT)	380-415 V/3 ph/50 Hz
Electrical power max.:	1.5 kW
Total Watts:	1.5
Plug type:	Cable without plug

Key Information:

External dimensions, Width:	628 mm
External dimensions, Depth:	1556 mm
External dimensions, Height:	1122 mm
Net weight:	80 kg
Shipping weight:	92 kg
Height adjustment:	1122/1372 mm
Approvals	UKCA;CE;CB
Waterproof index:	IP23
Number of speeds:	1
Rotation speed:	